

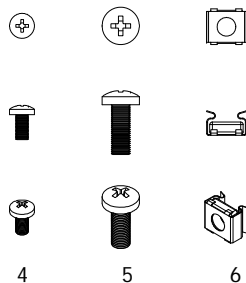
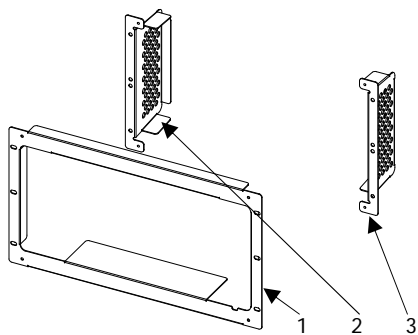
RIGOL

Rack Mount Kit MSO4000/DS4000

This rack mount kit is designed to mount **RIGOL** MSO4000/DS4000 series digital oscilloscope into a 19-inch cabinet that conforms to the Electronic Industries Association (EIA) standard.

Kit Part Checklist

No.	Name	Qty.	Description
1	Front Plate	1	--
2	Right Plate	1	--
3	Left Plate	1	--
4	M4 Screw	4	M4x8 Phillips Pan Head Screw
5	M6 Screw	6	M6x16 Phillips Pan Head Screw
6	M6 Nut	6	M6 Square Lock Cage Nut



Installation Tool

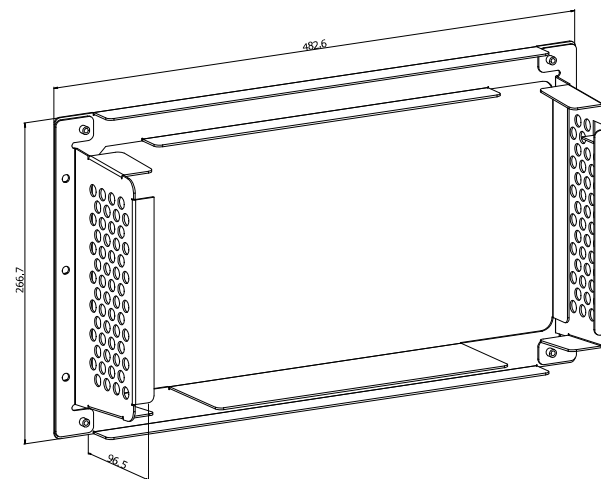
The PH2 Philips screwdriver is recommended.

Space Requirements

To mount the instrument into the cabinet correctly, please ensure that the following requirements are met.

- The cabinet must be a standard 19-inch one.
- The available height of the cabinet should be at least 6U (266.7 mm).
- The depth of the cabinet should be at least 400 mm.

The dimensions of the rack are as shown below.



Unit: mm

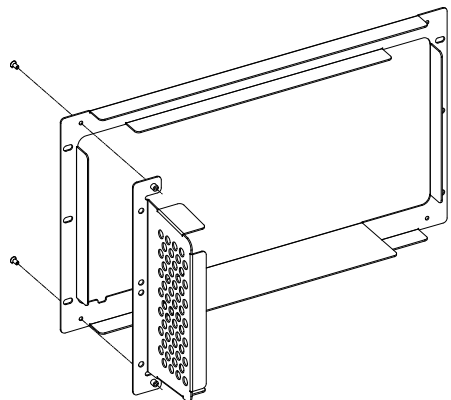
Installation Procedures



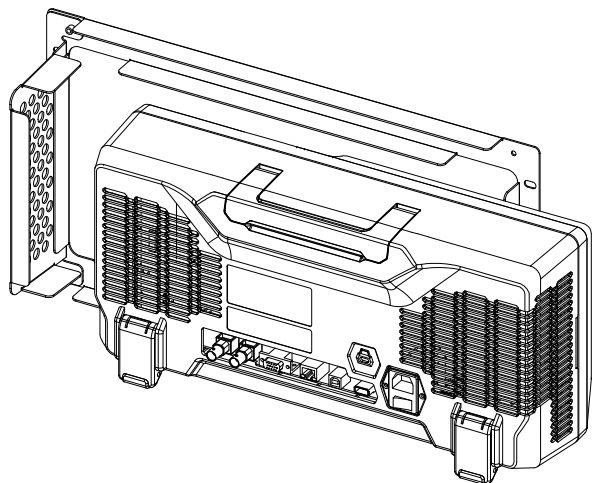
CAUTION

Only authorized operators are allowed to perform the installation. Improper installation might cause damage to the instrument or an installation failure.

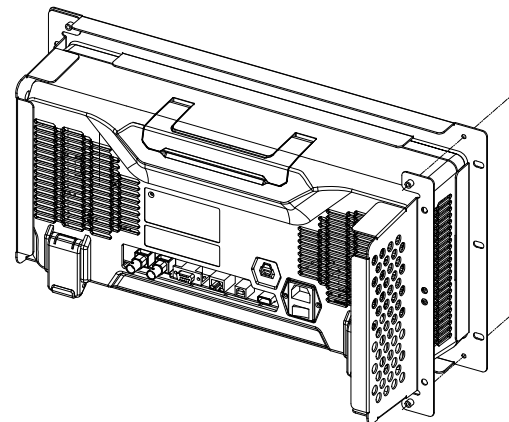
1. Install the left plate: Attach the left plate to the left edge of the front plate, then fasten them with two M4 screws.



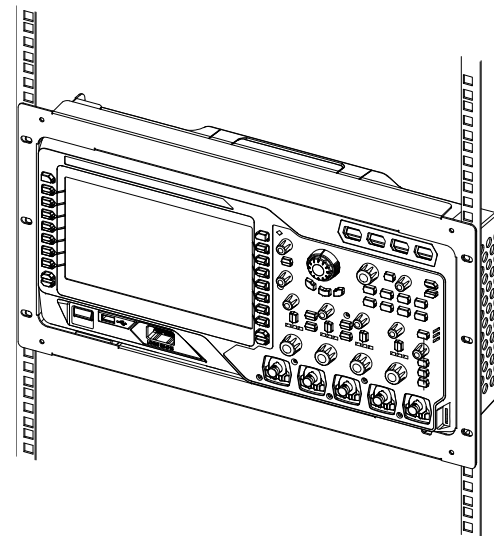
2. Place the instrument: Place the instrument into the frame set up by the front plate and the left plate.



3. Install the right plate: Attach the right plate to the right edge of the front plate, then fasten them with two M4 screws.



4. Get encased in the cabinet: Mount the assembled instrument and rack into a standard 19-inch cabinet by using six M6 screws and six M6 square nuts.



-End-